

Informàtica per a enginyeries

Assignatura optativa al batxillerat adreçada a alumnes que vulguin:

- fer una carrera universitària científico-tècnica.

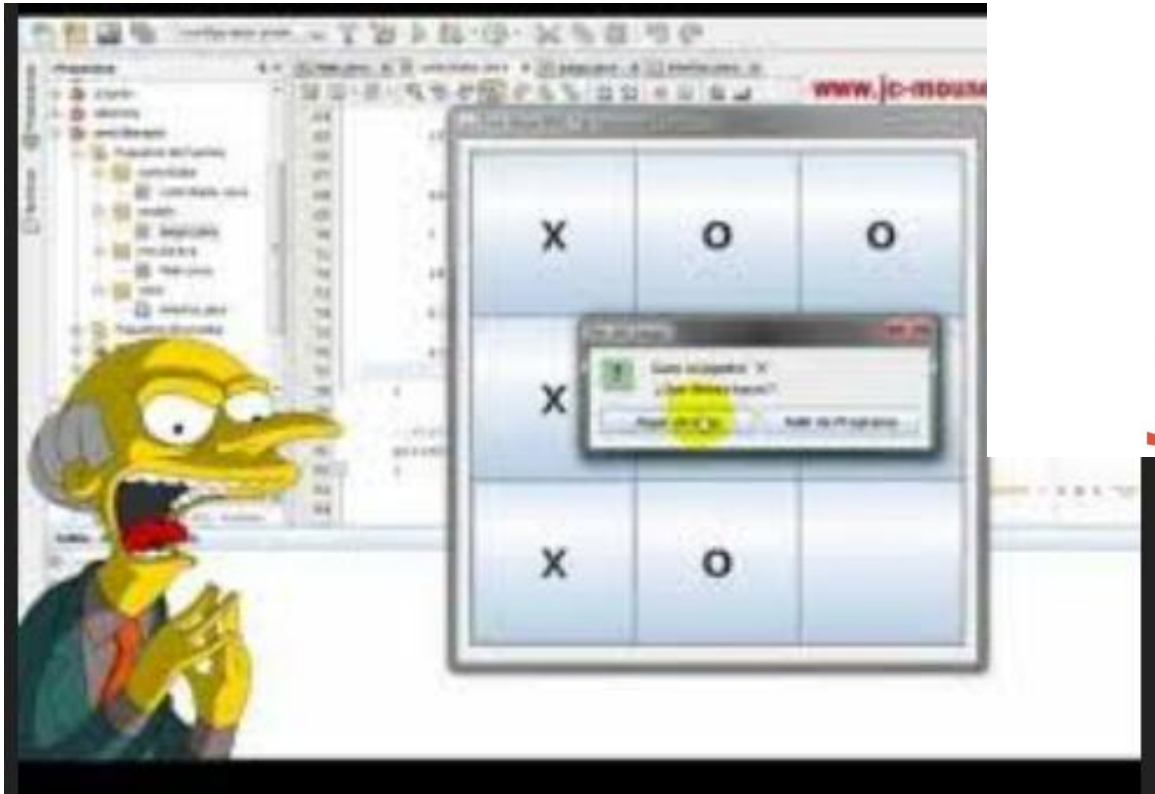
- Enginyeria Industrial
- Telecomunicacions
- Informàtica
- Electrònica
- Multimedia,etc.



- fer Mòduls de formació professional.
- Provar si agrada o completar el seu currículum.

Què farem ?

Programació en llenguatge **Java** i **NetBeans**, usat en universitats i centres d' ensenyament tecnològics.



Joc del 3 en ratlla

Disseny d' una botiga web amb Joomla



Joomla!

The screenshot displays the homepage of 'dale al tomate.com'. At the top left is the logo featuring three tomatoes and the text 'dale al tomate.com'. To the right, there is a shopping cart icon showing '[0] Artículos' and a 'Completar pedido' button. A search bar with the placeholder 'buscar...' is also present. Below the header is a navigation menu with items: 'PÁGINA DE INICIO', 'CATÁLOGO DE PRODUCTOS', '¿QUIÉNES SOMOS?', 'BLOG', 'PREGUNTAS FRECUENTES', and 'CONTACTAR'. The main content area features a large banner for 'Tomate salvaje' with the text 'saboree la variedad más sabrosa y agreste traída directamente desde el Somontano'. Below this, there is a section for 'Tomate entero pelado' with the text 'Sabe como el de antes' and a 'Comprobar los detalles' link. On the left side, there is a 'ACCESO USUARIOS' section with a login form (Username, Contraseña, Recordarme checkbox, Iniciar sesión button) and links for '¿Olvidó su contraseña?', '¿Olvidó su nombre de usuario?', and 'Regístrese aquí'. Below the banner, there is a 'CATÁLOGO DE PRODUCTOS' sidebar with a list of categories: 'Recetas de tomate', 'Derivados del tomate', and 'Conservas de tomate'. The main content area below the banner is titled 'PRODUCTOS DESTACADOS' and shows three product cards: '1000 recetas de tomate', 'La librería del tomate', and 'Tomate en gelatina para rebozar'. The footer shows a small 'ABP' logo and a zoom level of '100%'.

Disseny d'aplicacions per a telèfons mòbils

Game of Thrones characters

Select a template and build your App easily

Categories

Select a template to display here

Blank App
Start

Cafeteria
See Edit

Catalogue
See Edit

Catalogue II
See Edit

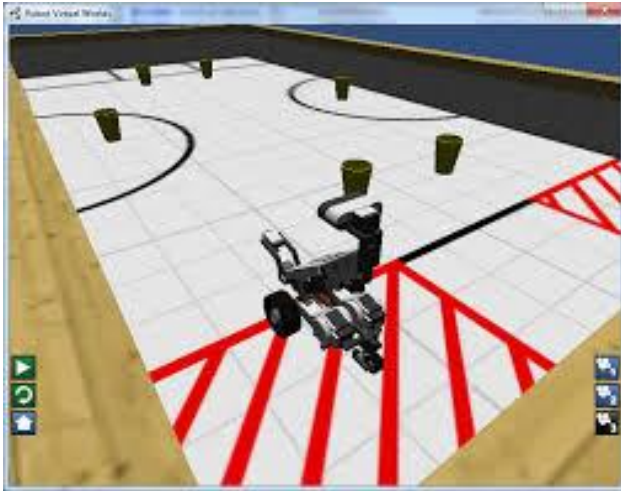
City Guide
See Edit

Community Church
See Edit

<< 1 2 3 4 >>

The image shows a screenshot of a mobile app design tool interface. At the top, there is a navigation bar with a back arrow and the text "Game of Thrones characters". Below this is a header area with the text "Select a template and build your App easily". Underneath, there is a "Categories" section with a dropdown menu set to "All themes" and a search bar labeled "Search theme...". The main area displays a grid of app templates. On the left, a large smartphone icon contains a play button and the text "Select a template to display here". The templates include: "Blank App" (a simple document icon), "Cafeteria" (a bar menu layout with a title "Name of the bar", icons for a bar, menu, and coffee, and a description field), "Catalogue" (a list of products with "Product 1", "Product 2", and "Product 3"), "Catalogue II" (a list of categories with "Category 1", "Category 2", "Category 3", and "Category 4"), "City Guide" (a city information layout with a title "Name of the City", a short introduction, and a description field), and "Community Church" (a church information layout with a title "Name of Community", a description field, and a list of icons for home, calendar, settings, and social media). Each template has a "See" and "Edit" button below it. At the bottom, there is a pagination bar with arrows and the numbers 1, 2, 3, 4.

Programació de robots LEGO i simulació amb ROBOTC



ROBOTC Download Support Education Community Purchase Search... Go

ROBOTC
a C Programming Language for Robotics

Change Region
USA

ROBOTC is the premiere robotics programming language for educational robotics and competitions. ROBOTC is a C-Based Programming Language with an Easy-to-Use Development Environment.

[Free Trial Download](#)

Download a 30-day evaluation copy today!

- Blazing fast High Performance Firmware.
- Interactive Run-Time Debugger

Don't forget to check out our free training, curriculum, and support!

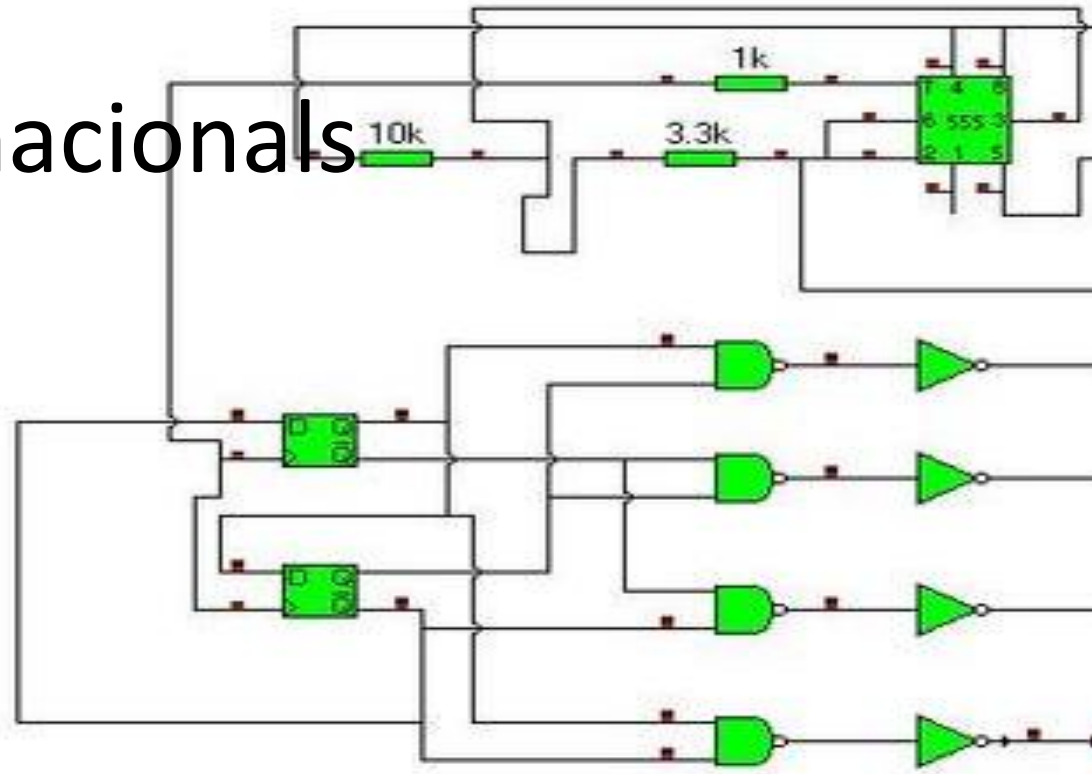
ROBOTC Forums Natural Language Programming Robot Virtual Worlds Robot Store

Latest Features

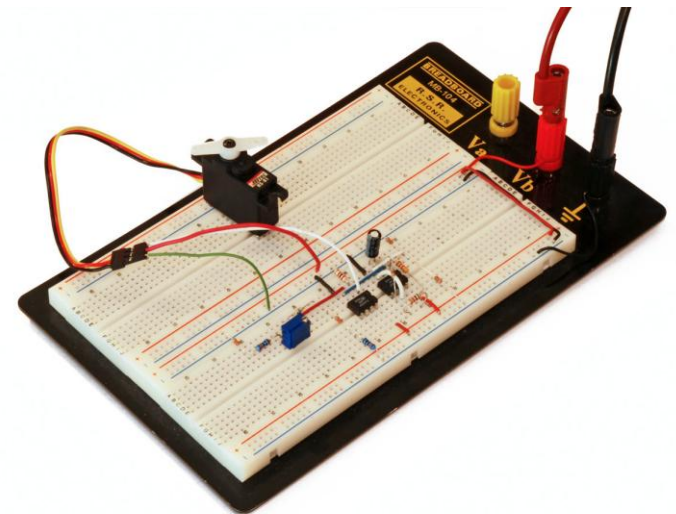
- Natural Language Programming [Details]
- Robot Virtual Worlds [Details]

ROBOTC Curriculum:

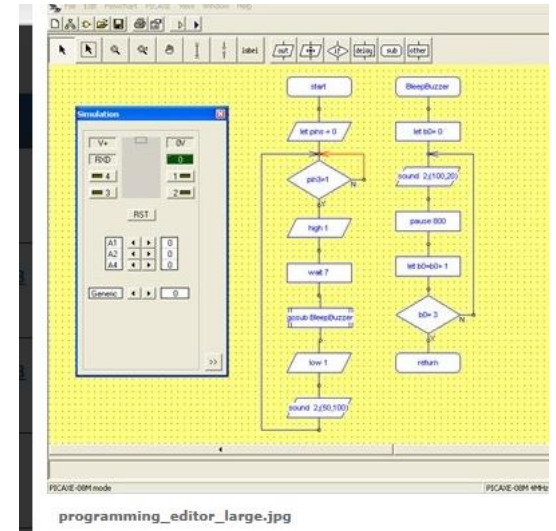
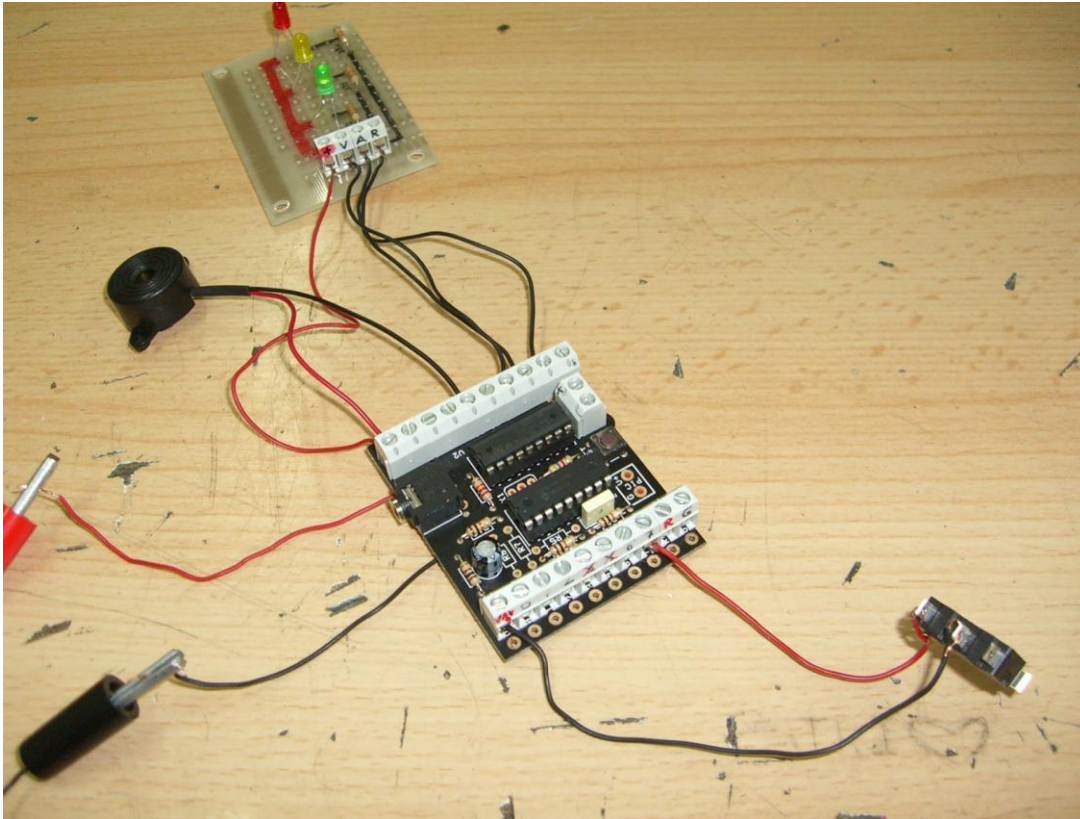
Estudi dels circuits electrònics combinacionals i seqüencials



- Control d' una porta d' un pàrquing
- Control d' un marcador de futbol
- Control d' una màquina automàtica de fer Caf 



Autòmates programables PICAXE



Construcció d' un sistema de control de semàfor automàtic

Edició en vídeo de les pràctiques

